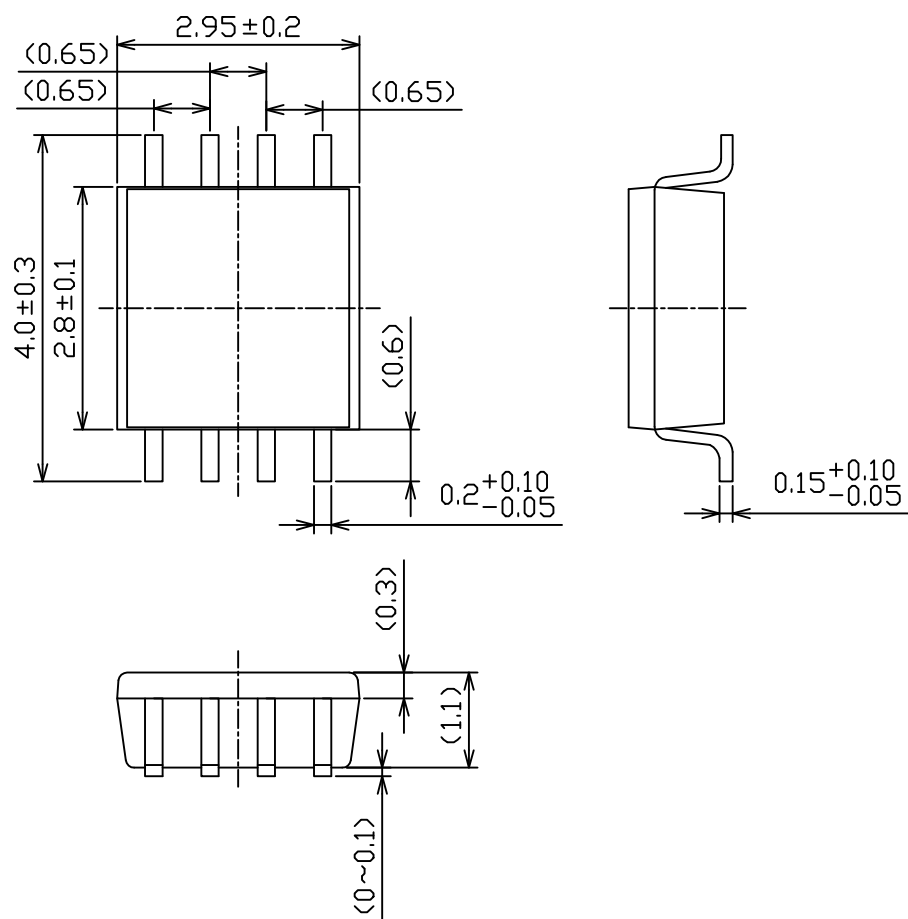


外形寸法図

MSOP-8 (MMPAK-8)



Renesas High Components, Inc.